

# Electric Vehicle Charging Technology by Sam Woo Electronics

2024 Edition



**Sam Woo Electronics Co., Ltd.**  
[www.isamwoo.com](http://www.isamwoo.com)

DC (Fast Charging / Regular Charging) and AC (Regular Charging)  
 Customized solutions available.

IEC Standards (IEC 62196-1, IEC 62196-2, IEC 62196-3).



**NACS**

200A, 300A  
 350A, 500A  
  
 48A, 80A  
 (Coming Soon)



**CCS1**

65A, 80A, 150A  
 200A, 300A, 350A  
 500A with Chiller  
 80A Bidirectional



**CCS2**

65A, 80A  
 125A, 200A, 350A  
 500A with Chiller



**CHAdeMO**

125A, 200A



**Type1**

40A, 48A, 80A

## AC Charging System



## DC Charging System







CCS2 Inlet



CCS1 Holder



Cable Handle



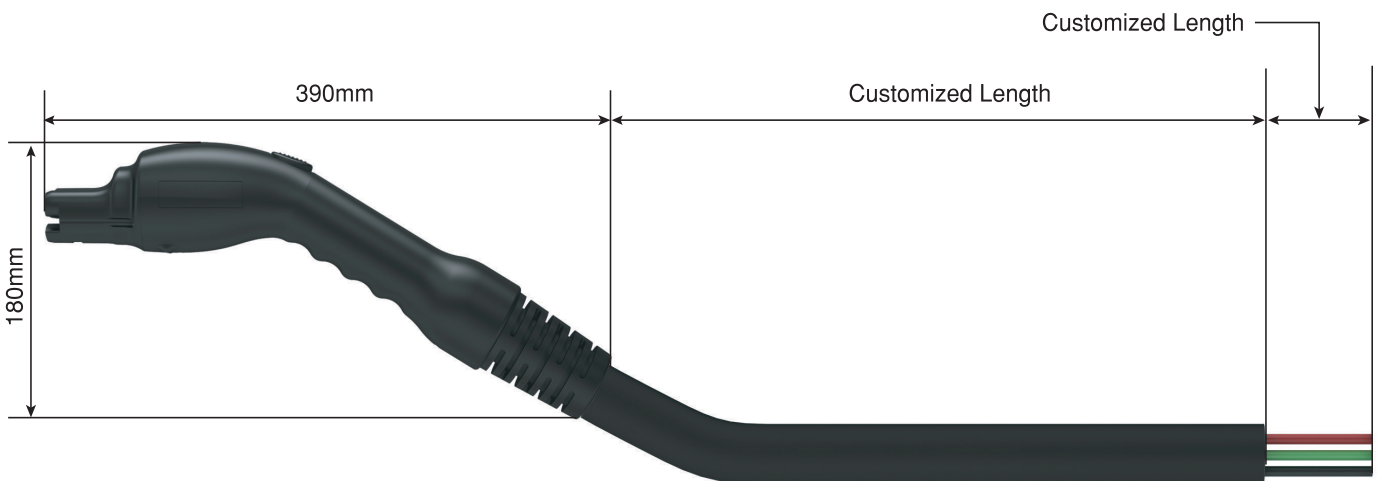
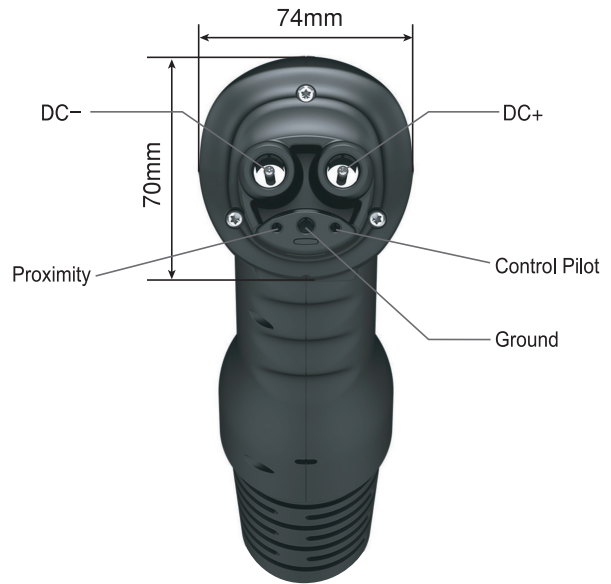
MCS

1MW, 3MW  
(Coming Soon)

Megawatt Charging System



- North America Charging Standards
- AC 48A / 250V Charger
- AC 80A / 250V Charger
- DC 200A / 1000V Fast Charger
- DC 350A / 1000V Fast Charger
- DC 500A / 1000V Fast Charger



Specifications subject to change without notice. Contact Sam Woo Electronics for the latest specifications.

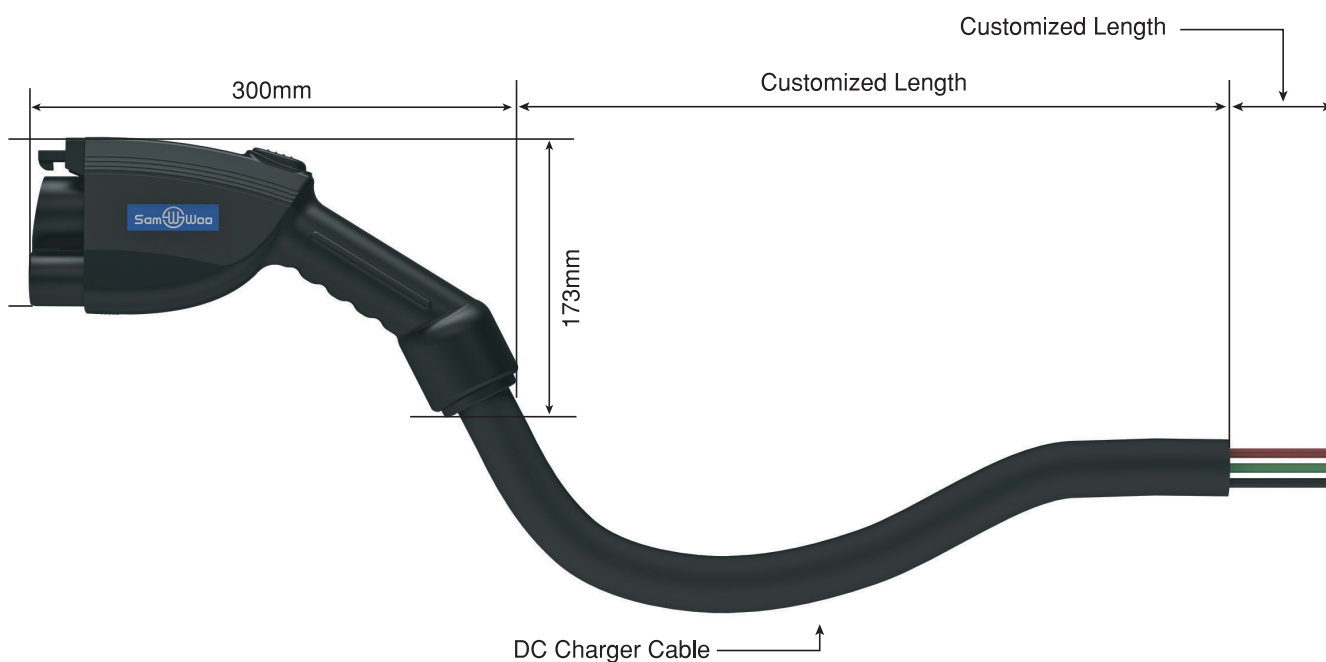
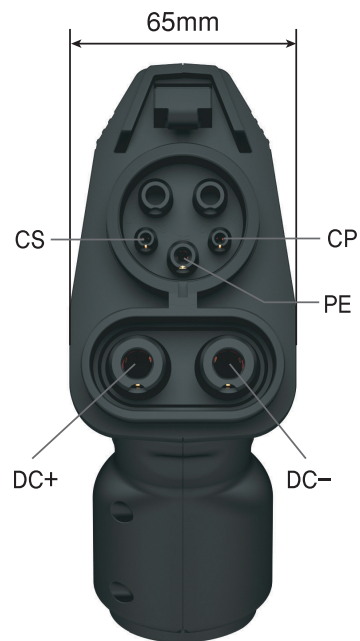


NACS 350A Technical Data		
General Specifications	Part No.	SW - EVT354
	Charger Type	NACS
	Standard	SAE J3400
	Certification	UL Certified
Connector Specifications	Connector Dimensions	60mm x 132mm x 315mm
	Operating Temperature	- 30°C to + 50°C
	Storage Temperature	- 40°C to + 80°C
	Electric Power	175 KW
	DC Contact	Power Contacts
	DC Current	350 A
	DC Voltage	500 V (1,000V DC is Tested)
	Degree of Protection	IP 54 / 3R
	Mating Cycle	10,000 ↑
	Insertion Force	90 N ↓
Extraction Force	90 N ↓	
Cable Specifications	Material	TPE
	Diameter	40.5 mm
	Color	Black
	Curvature Radius	243mm
Temperature Sensor Specifications	Sensor Type	PT 1000, Other (Customized)
	Standard	DIN EN 60751
	Current	1 mA (0°C, 1 V)
	Tolerance	± 1K
	Temperature Range	- 50 °C to + 130 °C

※ Specifications subject to change without notice. Contact Sam Woo Electronics for the latest specifications.

※UHF Transmitter (315 MHz, 434MHz) : Not Applied (under development) - Current CCS-1 Protocol

- Combined Charging System Type 1
- IEC 62196-1, 62196-3
- DC 65A / 1000V Charger
- DC 80A / 1000V Charger
- DC 150A / 1000V Fast Charger
- DC 200A / 1000V Fast Charger
- UL Certified



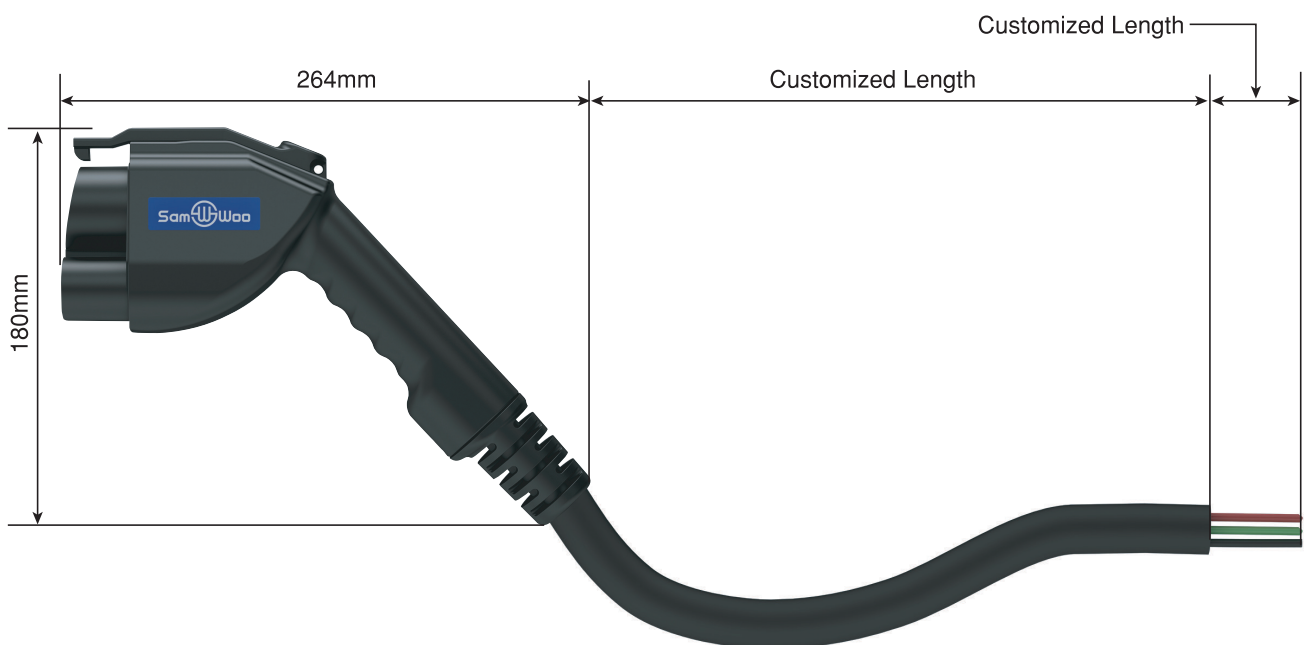
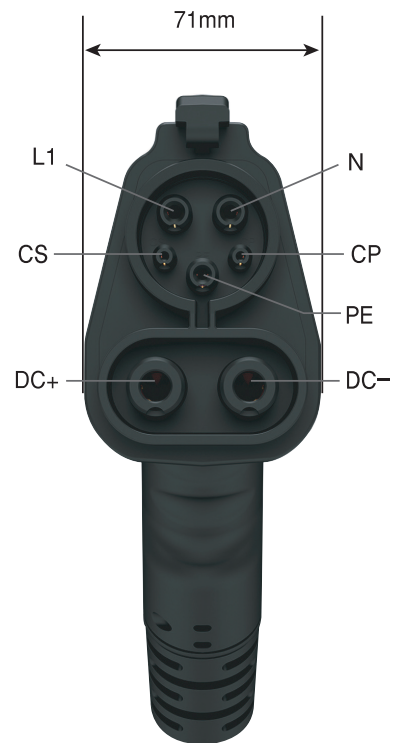
Specifications subject to change without notice. Contact Sam Woo Electronics for the latest specifications.

CCS1 65A / 80A / 150A / 200A Technical Data					
General Specifications	Part No.	SW - EVTN061	SW - EVTN081	SW - EVTN151	SW - EVTN201
	Charger Type	TYPE 1 CCS DC			
	Standard	IEC 62196-1, IEC 62196-3			
	Certification	UL Coming Soon		UL Certified Edition 3	
Connector Specifications	Connector Dimensions	66mm x 264mm x 341mm		66mm x 174mm x 302mm	
	Operating Temperature	- 30°C to + 50°C			
	Storage Temperature	- 40°C to + 80°C			
	Electric Power	65 KW	80 KW	150 KW	200 KW
	DC Contact	Power Contacts			
	DC Current	65 A	80 A	150 A	200 A
	DC Voltage	1,000 V			
	Signal Current	2 A			
	Degree of Protection	IP54 / 3R			
	Mating Cycle	10,000 ↑			
	Insertion Force	100 N ↓			
	Extraction Force	100 N ↓			
Cable Specifications	Material	TPE			
	Diameter	24.8 mm	28.5 mm	33 mm	36.5 mm
	Color	Black			
	Curvature Radius	148 mm	171 mm	198 mm	219 mm
	Certification	Reference Standard : UL 62			
Temperature Sensor Specifications	Sensor Type	PT 1000			
	Standard	DIN EN 60751			
	Current	1 mA (0°C, 1 V)			
	Tolerance	± 1K			
	Temperature Range	- 50°C to + 130 °C			
Test Results	STANDARD				
	IEC 62196-1 IEC 62196-3	PASS			



## CCS1 65A / 80A Dimensions

- Combined Charging System Type 1
- IEC 62196-1, 62196-3
- DC 65A / 1000V Charger
- DC 80A / 1000V Charger
- Ergonomic Design



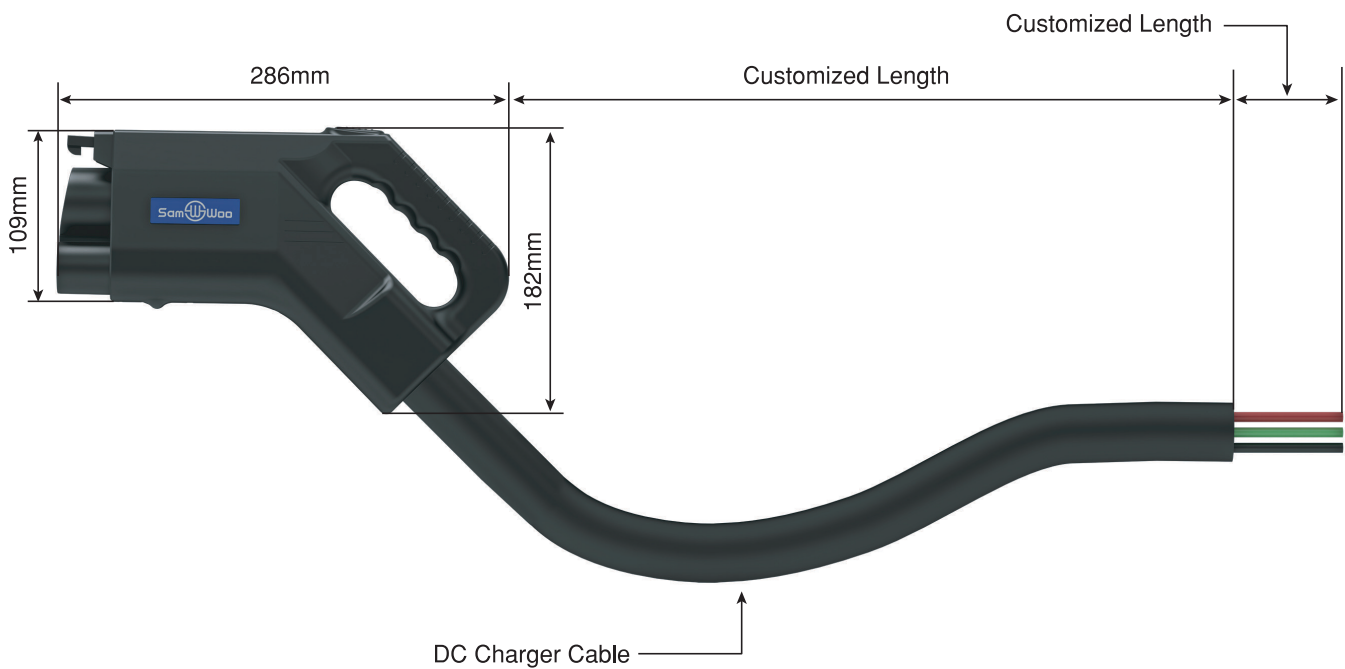
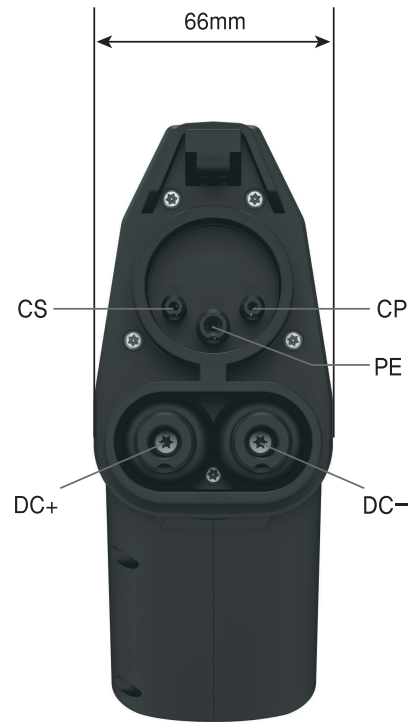
Specifications subject to change without notice. Contact Sam Woo Electronics for the latest specifications.

# CCS1 65A / 80A Technical Data

CCS1 65A / 80A Technical Data			
General Specifications	Part No.	SW - EVTB061	SW - EVTB081
	Charger Type	TYPE 1 CCS DC	
	Standard	IEC 62196-1, IEC 62196-3	
	Certification	UL Coming Soon	
Connector Specifications	Connector Dimensions	66mm x 264mm x 341mm	
	Operating Temperature	-30°C to + 50°C	
	Storage Temperature	-40°C to + 80°C	
	Electric Power	65 KW	80 KW
	DC Contact	Power Contacts	
	DC Current	65 A	80 A
	DC Voltage	1,000 V	
	Signal Current	2 A	
	Degree of Protection	IP54 / 3R	
	Mating Cycle	10,000 ↑	
	Insertion Force	100 N ↓	
	Extraction Force	100 N ↓	
Cable Specifications	Material	TPE	
	Diameter	19 mm	28.5 mm
	Color	Black	
	Curvature Radius	114 mm	171 mm
	Certification	Reference Standard : UL 62	
Temperature Sensor Specifications	Sensor Type	PT 1000	
	Standard	DIN EN 60751	
	Current	1 mA (0°C, 1 V)	
	Tolerance	± 1K	
	Temperature Range	- 50°C to + 130°C	
Test Results	STANDARD		
	IEC 62196-1	PASS	
	IEC 62196-3		

Specifications subject to change without notice. Contact Sam Woo Electronics for the latest specifications.

- Combined Charging System Type 1
- IEC 62196-1, 62196-3
- DC 300A / 1000V Fast Charger
- DC 350A / 1000V Fast Charger
- Replaceable Parts
- UL Certified

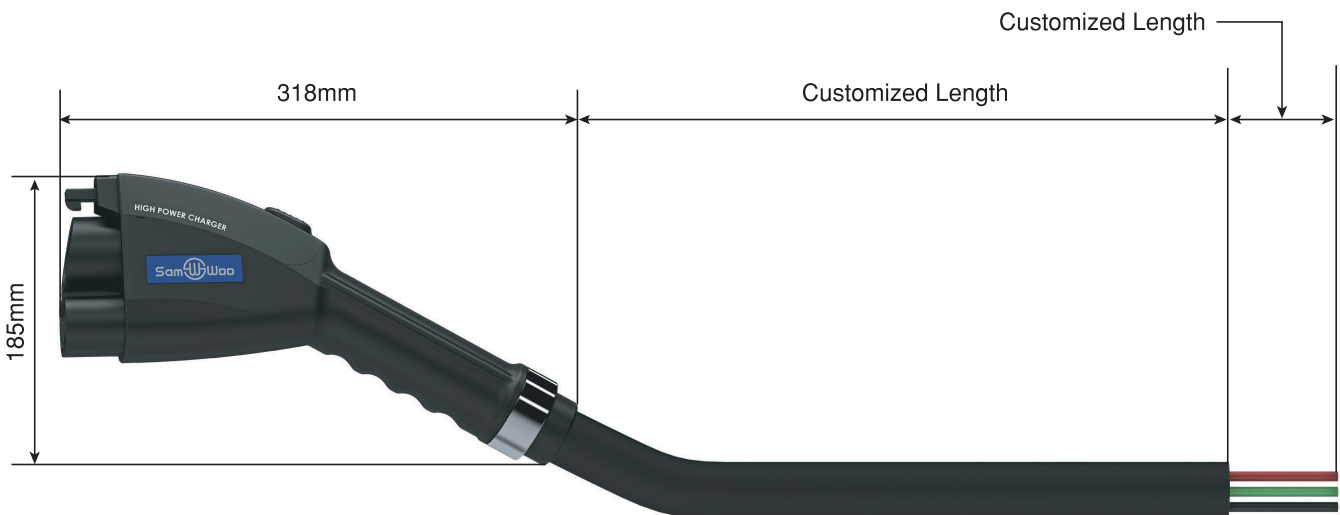
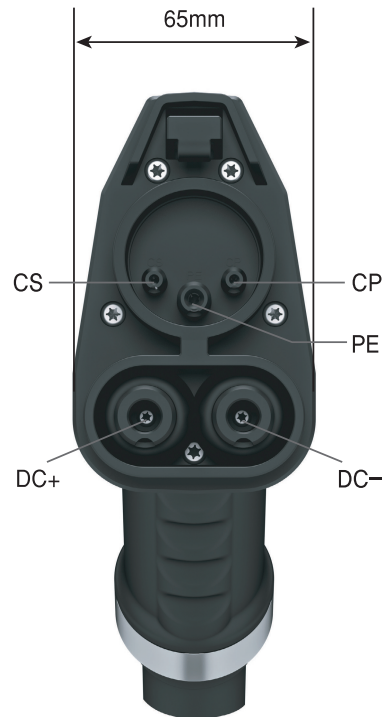


Specifications subject to change without notice. Contact Sam Woo Electronics for the latest specifications.



CCS1 300A / 350A Technical Data				
General Specifications	Part No.	SW - EVT301 - N	SW - EVT351 - N	SW - EVT351 - BN
	Charger Type	TYPE 1 CCS DC		
	Standard	IEC 62196-1, IEC 62196-3		
	Certification	UL Certified Edition 3		
Connector Specifications	Connector Dimensions	66 mm x 182 mm x 286 mm		
	Operating Temperature	- 30°C to + 50°C		
	Storage Temperature	- 40°C to + 80°C		
	Electric Power	300 KW	350KW	
	DC Contact	Power Contacts		
	DC Current	300 A	350A	
	DC Voltage	1,000 V		
	Signal Current	2 A		
	Degree of Protection	IP54 / 3R		
	Mating Cycle	10,000 ↑		
	Insertion Force	100 N ↓		
Extraction Force	100 N ↓			
Cable Specifications	Material	TPE		
	Diameter	38.9 mm	40.5 mm	40 mm
	Color	BLACK		
	Curvature Radius	233 mm	243 mm	240 mm
Temperature Sensor Specifications	Sensor Type	PT 1000		
	Standard	DIN EN 60751		
	Current	1 mA (0°C, 1 V)		
	Tolerance	± 1K		
	Temperature Range	-50 °C to + 130°C		
Test Results	STANDARD			
	IEC 62196-1	PASS		
	IEC 62196-3			

- Combined Charging System Type 1
- IEC 62196-1, 62196-3
- DC 500A / 1000V High Power Charger
- Liquid Cooling System
- ETL Certified
- Ergonomic Design
- Replaceable Parts



Specifications subject to change without notice. Contact Sam Woo Electronics for the latest specifications.

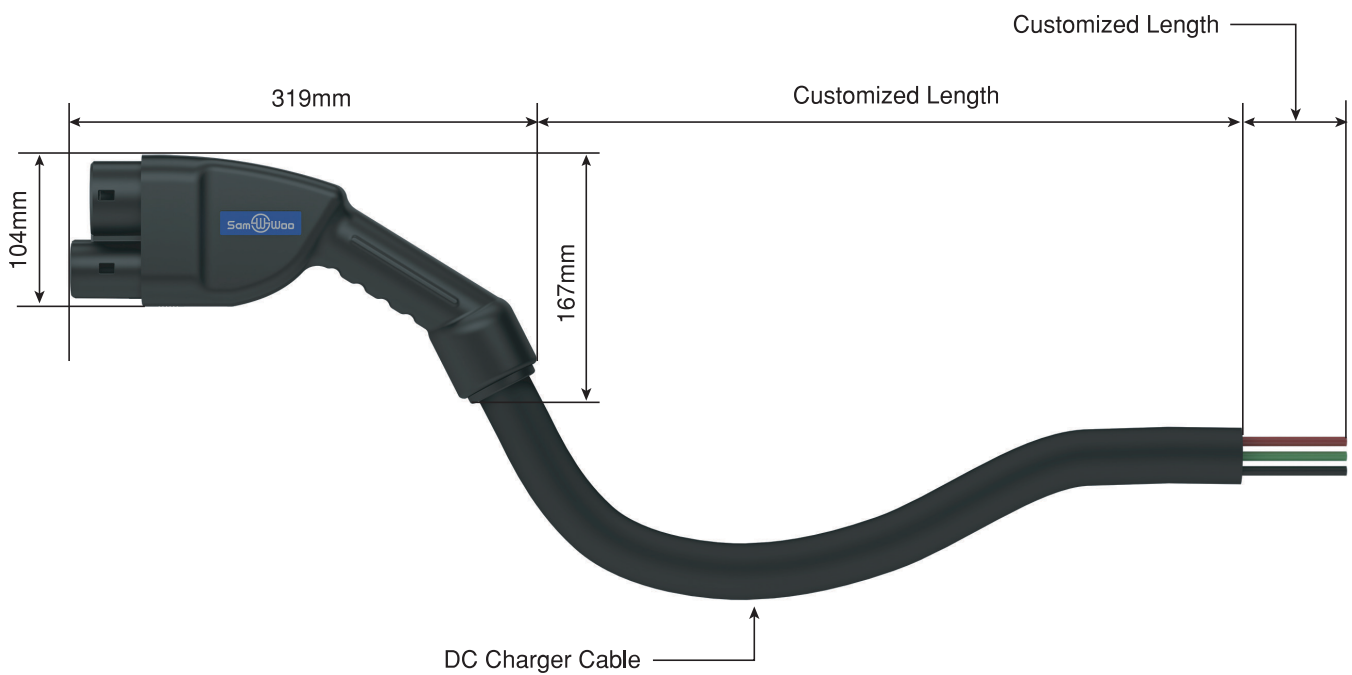
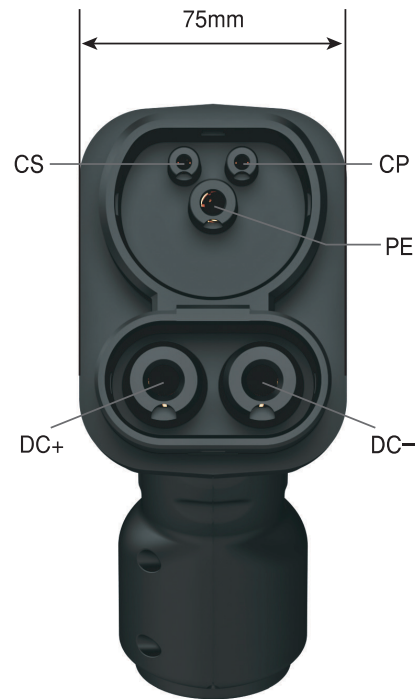


CCS1 500A Technical Data			
General Specifications	Part No.		SW - EVT501 - N
	Charger Type		TYPE 1 CCS DC (High Power Charging System)
	Standard		IEC 62196-1, IEC 62196-3
	Certification		ETL Certified
Connector Specifications	Connector Dimensions		66 mm x 165 mm x 318 mm
	Operating Temperature		- 30°C to + 50°C
	Storage Temperature		- 40°C to + 50°C
	Electric Power		500 KW
	DC Contact		Power Contacts
	DC Current		500 A
	DC Voltage		1,000 V
	Signal Current		2 A
	Degree of Protection		IP67 (Housing) / 3R
	Mating Cycle		10,000 ↑
	Insertion Force		100 N ↓
Extraction Force		100 N ↓	
Cable Specifications	Material		TPE or TPU
	Diameter		35.7 mm
	Color		Black
	Curvature Radius	DC Line	220 mm
		Fixed	200 mm
		Movement	305 mm
Certification		ETL Certified	
Temperature Sensor Specifications	Sensor Type		PT 1000
	Standard		DIN EN 60751
	Current		1 mA (0°C, 1 V)
	Tolerance		± 1K
	Temperature Range		- 50°C to + 130°C
Test Results	STANDARD		
	IEC 62196-1 IEC 62196-3		PASS
Cooling System	Cooling Capacity		4 KW
	Flow rate		l/min 2~4
	Storage Temperature		- 40 °C to + 50 °C
	Tank Capacity		2.4 l
	Pump		DC 24 V / 144 W
	Fan		DC 24 V / 3 x 0.53 A
	Noise		MAX 65dB
	Dimension	Length	216 mm
		Width	401 mm
		Height	515 mm
Weight		27 Kg	

Specifications subject to change without notice. Contact Sam Woo Electronics for the latest specifications.



- Combined Charging System Type 2
- IEC 62196-1, 62196-3
- DC 125A / 1000V Fast Charger
- DC 200A / 1000V Fast Charger
- CE Certified
- Ergonomic Design



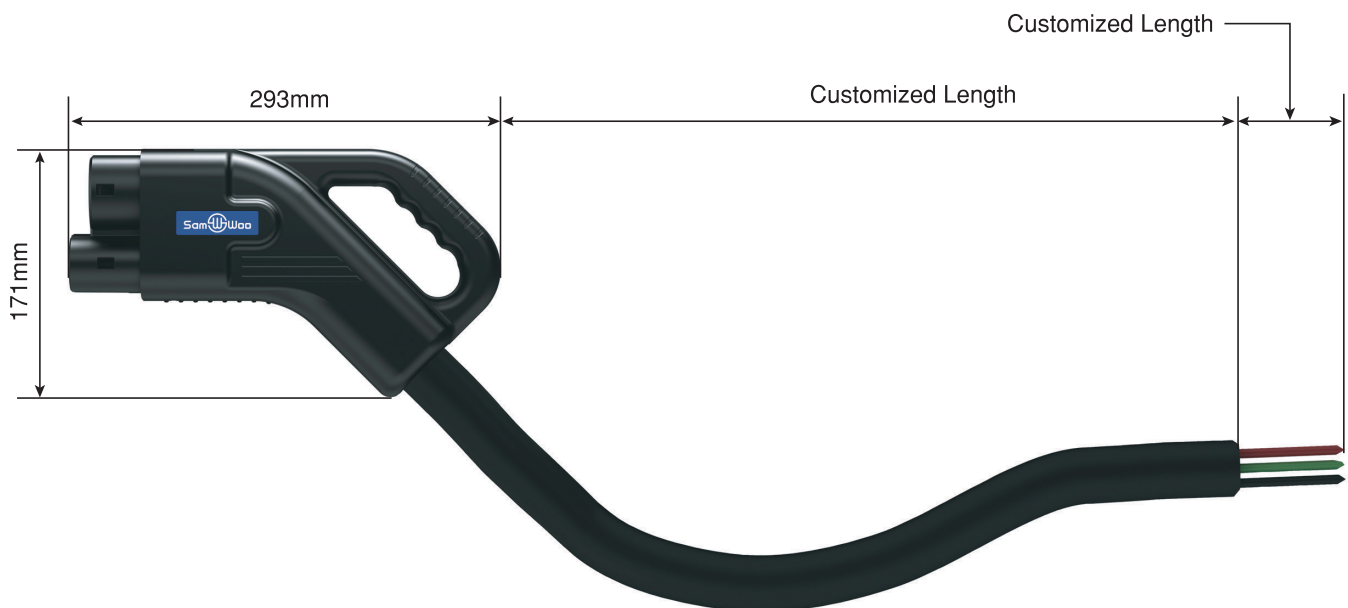
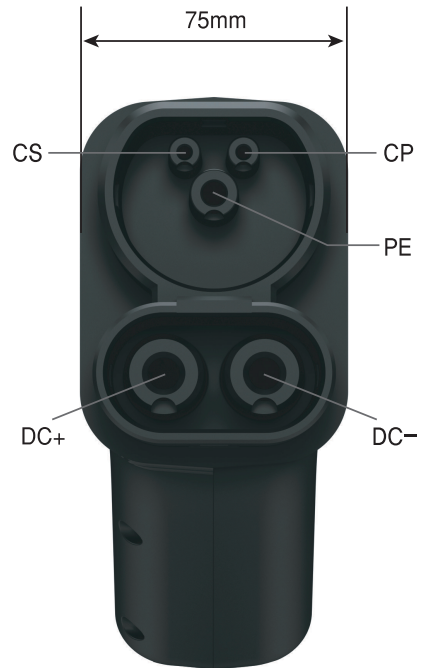
Specifications subject to change without notice. Contact Sam Woo Electronics for the latest specifications.



CCS2 125A / 200A Technical Data			
General Specifications	Part No.	SW - EVT122	SW - EVT202
	Charger Type	TYPE 2 CCS DC	
	Standard	EN 62196-1, EN 62196-3 / IEC 62196-1, IEC 62196-3	
	Certification	CE Certified	
Connector Specifications	Connector Dimensions	75 mm x 168 mm x 320 mm	
	Operating Temperature	- 30°C to + 50°C	
	Storage Temperature	- 40°C to + 80°C	
	Electric Power	125 KW	200 KW
	DC Contact	Power Contacts	
	DC Current	125 A	200 A
	DC Voltage	1,000 V	
	Signal Current	2 A	
	Degree of Protection	IP54 / 3R	
	Mating Cycle	10,000 ↑	
	Insertion Force	100 N ↓	
	Extraction Force	100 N ↓	
Cable Specifications	Material	TPE	
	Diameter	33 mm	36.5 mm
	Color	Black	
	Curvature Radius	198 mm	219 mm
	Certification	Reference Standard : UL 62	
Temperature Sensor Specifications	Sensor Type	PT 1000	
	Standard	DIN EN 60751	
	Current	1 mA (0°C, 1 V)	
	Tolerance	± 1K	
	Temperature Range	- 50°C to + 130°C	
Test Results	STANDARD		
	IEC 62196-1	PASS	
	IEC 62196-3	PASS	

Specifications subject to change without notice. Contact Sam Woo Electronics for the latest specifications.

- Combined Charging System Type 2
- IEC 62196-1, 62196-3
- DC 200A / 1000V Fast charger
- DC 350A / 1000V Fast charger
- CE Certified
- Ergonomic Design
- Replaceable parts



Specifications subject to change without notice. Contact Sam Woo Electronics for the latest specifications.

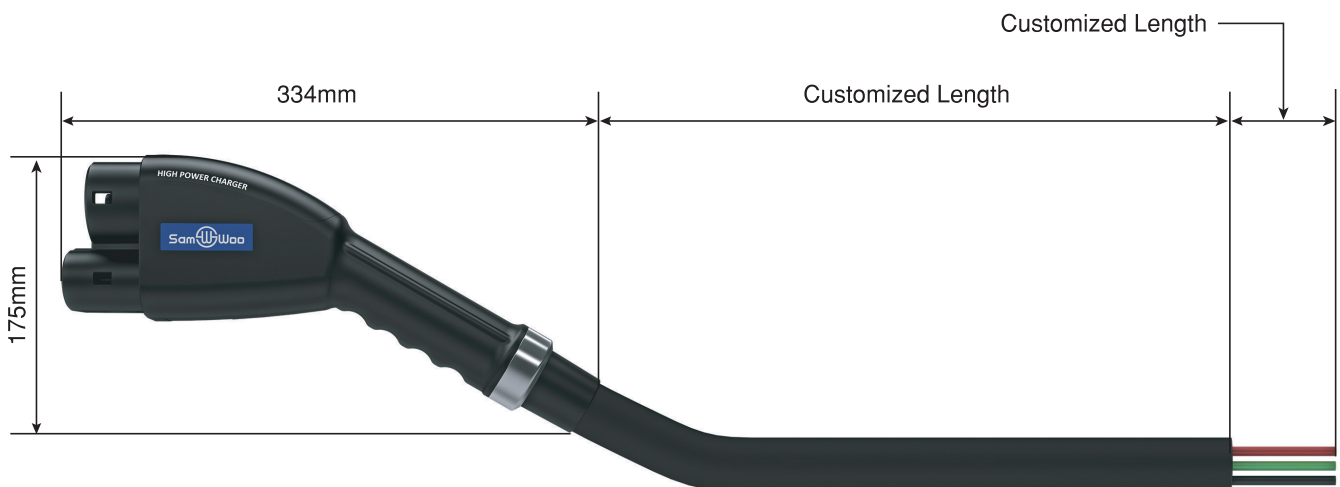
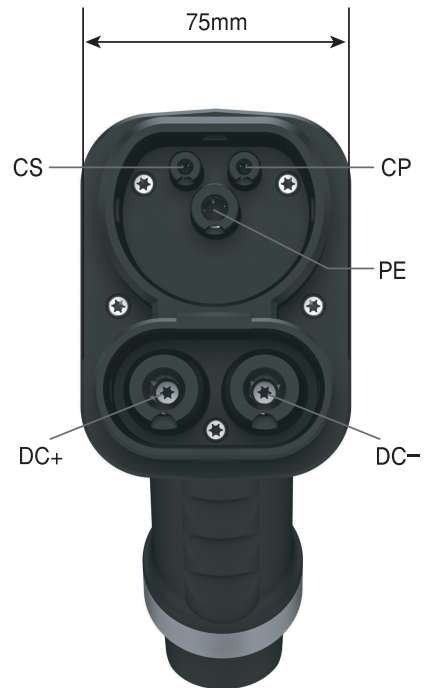


CCS2 200A / 350A Technical Data				
General Specifications	Part No.	SW - EVTN202	SW - EVT352 - N	SW - EVT - 352 - BN
	Charger Type	CCS2 (Combined Charging System)		
	Standard	IEC 62196-1 : 2022, IEC 62196-3 : 2022		
	Certification	CE File No : AK 50603558 0001		
Connector Specifications	Connector Dimensions	75 mm x 170 mm x 295 mm		
	Operating Temperature	- 30°C to + 50°C		
	Storage Temperature	- 40°C to + 80°C		
	Electric Power	200 KW	350 KW	380 KW
	DC Contact	Power Contacts		
	DC Current	200 A	350 A	380 A
	DC Voltage	1,000 V		
	Signal Current	2 A		
	Degree of Protection	IP54 / 3R		
	Mating Cycle	10,000 ↑		
	Insertion Force	100 N ↓		
Extraction Force	100 N ↓			
Cable Specifications	Material	TPE		
	Diameter	36.5 mm	40.5 mm	38 mm
	Color	Black		
	Curvature Radius	219 mm	243 mm	228 mm
	Certification	Reference Standard : UL 62		
Temperature Sensor Specifications	Sensor Type	PT 1000		
	Standard	DIN EN 60751		
	Current	1 mA (0°C , 1 V)		
	Tolerance	± 1K		
	Temperature Range	- 50°C to + 130°C		
Test Results	STANDARD			
	IEC 62196-1	PASS		
	IEC 62196-3	PASS		

Specifications subject to change without notice. Contact Sam Woo Electronics for the latest specifications.

## CCS2 500A Dimensions

- Combined Charging System Type 2
- IEC 62196-1, 62196-3
- DC 500A / 1000V High Power Charger
- Liquid Cooling System
- Ergonomic Design
- Replaceable Parts



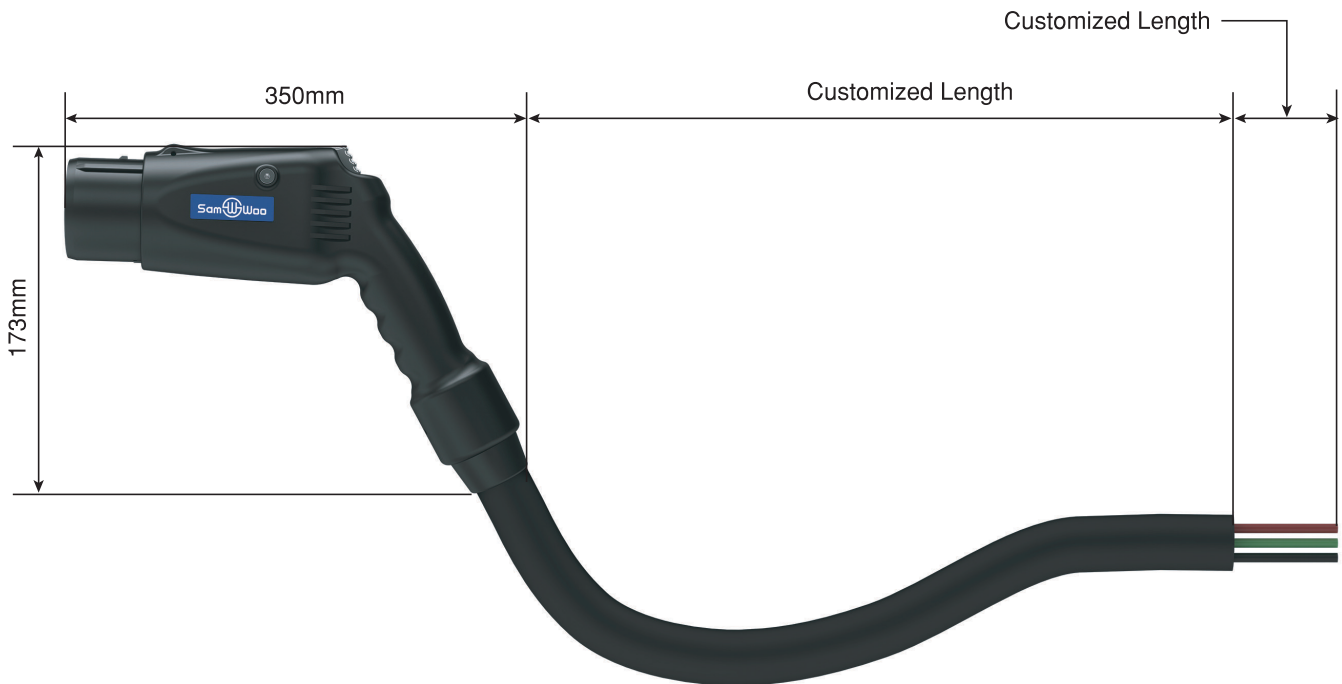
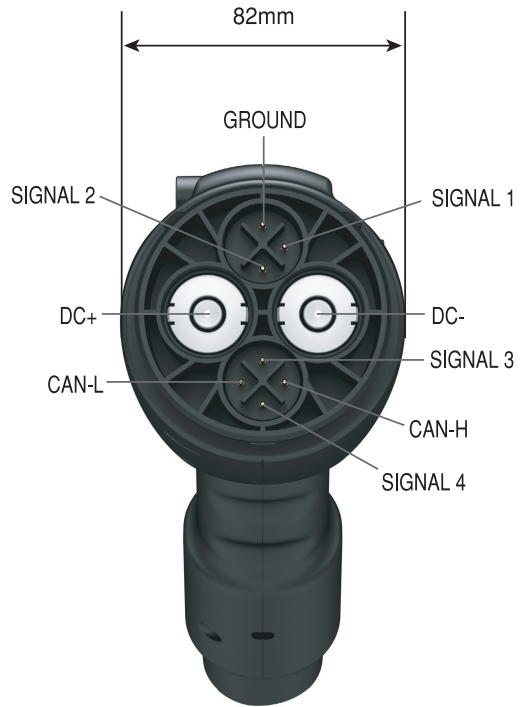
Specifications subject to change without notice. Contact Sam Woo Electronics for the latest specifications.

CCS2 500A Technical Data			
General Specifications	Part No.		SW - EVT502 - N
	Charger Type		TYPE 2 CCS DC (High Power Charging System)
	Standard		IEC 62196-1, IEC 62196-3
	Certification		CE Coming Soon / ETL Coming Soon
Connector Specifications	Connector Dimensions		75 mm x 165 mm x 318 mm
	Operating Temperature		- 30°C to + 50°C
	Storage Temperature		- 40°C to + 50°C
	Electric Power		500 KW
	DC Contact		Power Contacts
	DC Current		500 A
	DC Voltage		1,000 V
	Signal Current		2 A
	Degree of Protection		IP67 (Housing) / 3R
	Mating Cycle		10,000 ↑
	Insertion Force		100 N ↓
Extraction Force		100 N ↓	
Cable Specifications	Material		TPE or TPU
	Diameter		35.7 mm
	Color		Black
	Curvature Radius	DC Line	220 mm
		Fixed	200 mm
		Movement	305 mm
Certification		ETL coming soon	
Temperature Sensor Specifications	Sensor Type		PT 1000
	Standard		DIN EN 60751
	Current		1 mA (0°C, 1 V)
	Tolerance		± 1K
	Temperature Range		- 50 °C to + 130 °C
Test Results	STANDARD		
	IEC 62196-1 IEC 62196-3		Coming Soon
Cooling System	Cooling Capacity		4 KW
	Flow rate		l/min 2~4
	Storage Temperature		- 40 °C to + 50 °C
	Tank Capacity		2.4 l
	Pump		DC 24 V / 144 W
	Fan		DC 24 V / 3 x 0.53 A
	Noise		MAX 65dB
	Dimension	Length	216 mm
		Width	401 mm
Height		515 mm	
Weight		27 Kg	

Specifications subject to change without notice. Contact Sam Woo Electronics for the latest specifications.



- CHAdeMO EV Charging Standard
- IEC 62196-1 , 62169-3
- DC 125A / 500V Fast Charger
- CE Certified



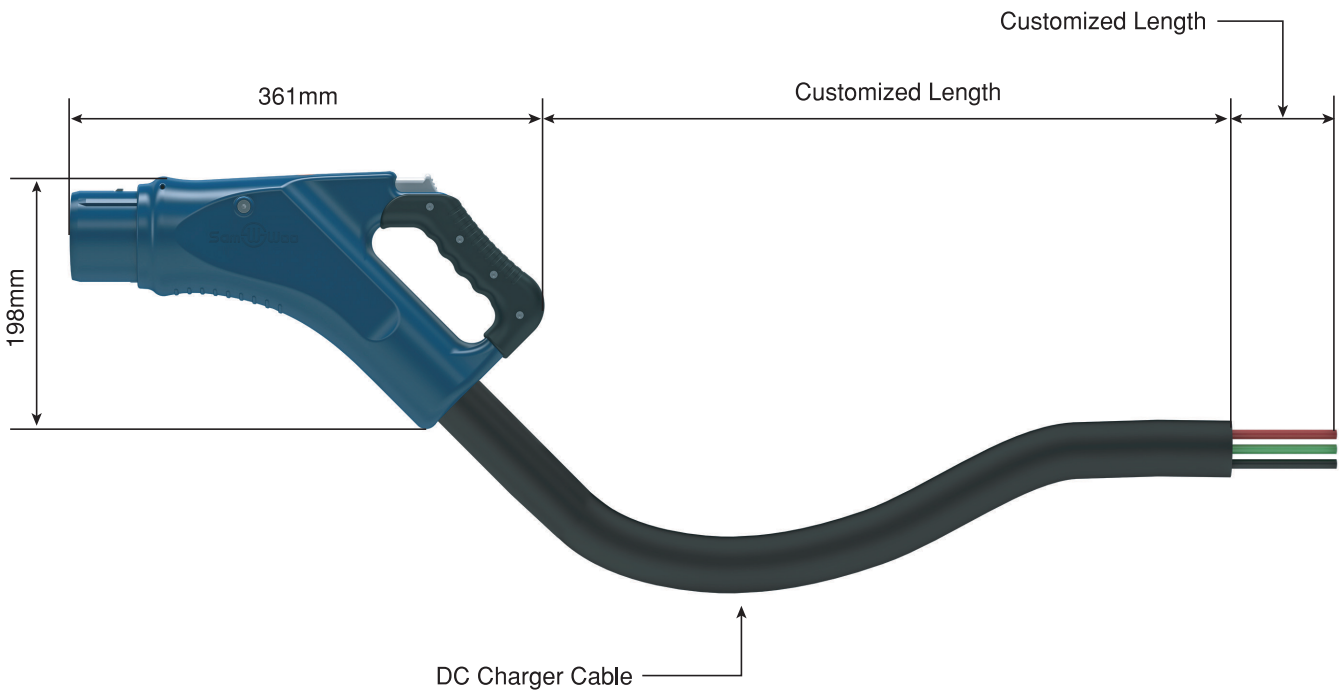
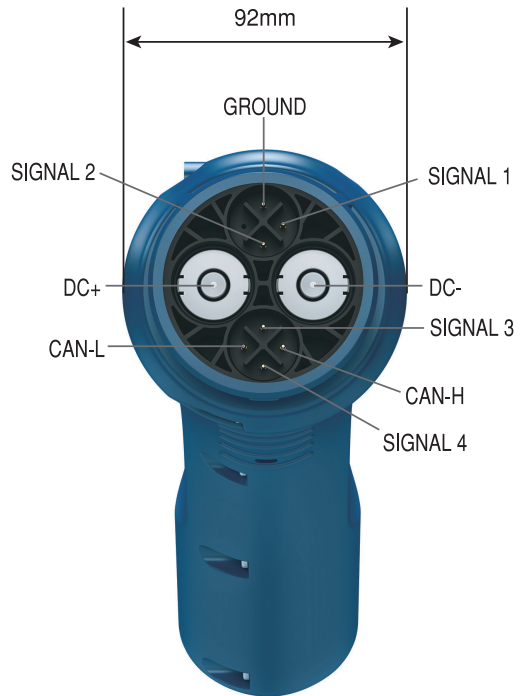
Specifications subject to change without notice. Contact Sam Woo Electronics for the latest specifications.



CHAdeMO 125A Technical Data			
General Specifications	Part No.	SW - EVT123	SW - EVJ123
	Charger Type	CHAdeMO	
	Standard	IEC 62196-1, IEC 62196-3	
	Certification	UL Coming Soon / CE Certified	-
Connector Specifications	Connector Dimensions	82 mm x 162 mm x 286 mm	
	Operating Temperature	- 30°C to + 50°C	
	Storage Temperature	- 40°C to + 80°C	
	Electric Power	125 KW	
	DC Contact	Power Contacts	
	DC Current	125 A	
	DC Voltage	1,000 V	750V
	Signal Contact	Signal Line : 7, Solenoid Line : 2	
	Signal Current	2 A	
	Degree of Protection	IP54 / 3R	
	Mating Cycle	10,000 ↑	
	Insertion Force	100 N ↓	
	Extraction Force	100 N ↓	
Solenoid	Actuation Voltage	DC 12 V	
	Release Voltage	0V (No current flow)	
	Hold Voltage	DC 7V ± 1V	
	Coil Resistance	38 Ω ± 10% (Reference at 20°C)	
Cable Specifications	Material	TPE	
	Diameter	33 mm	
	Color	Black	
	Curvature Radius	198 mm	
	Certification	Reference Standard : UL 62	Reference Standard : JCS 4522
Test Results	STANDARD		
	IEC 62196-1 IEC 62196-3	PASS	Coming Soon

Specifications subject to change without notice. Contact Sam Woo Electronics for the latest specifications.

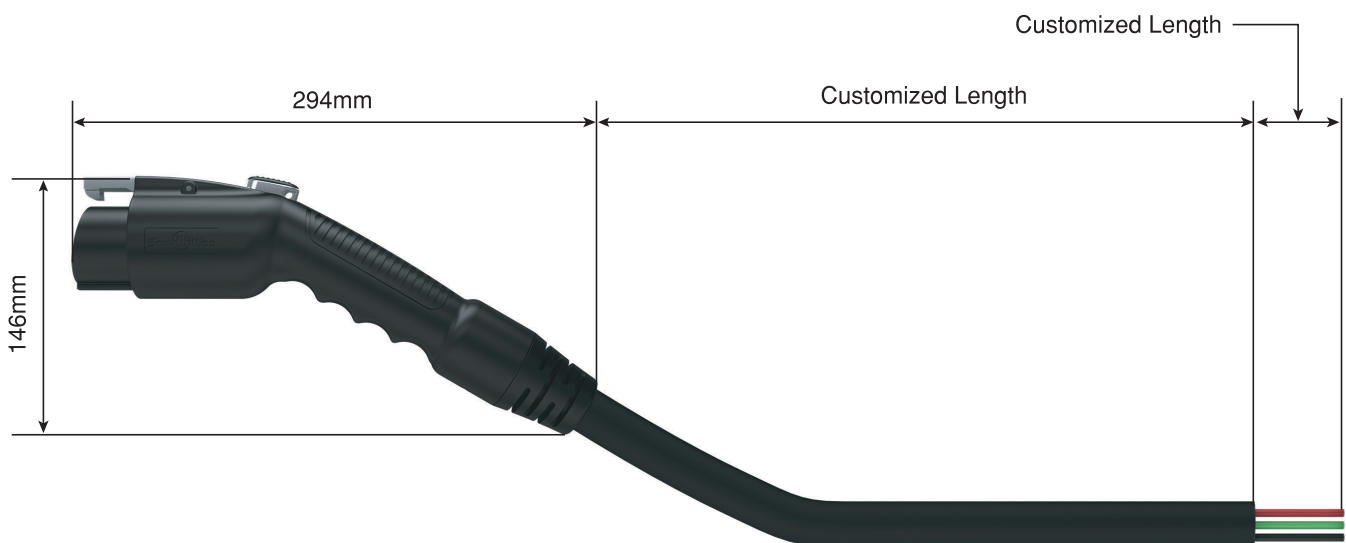
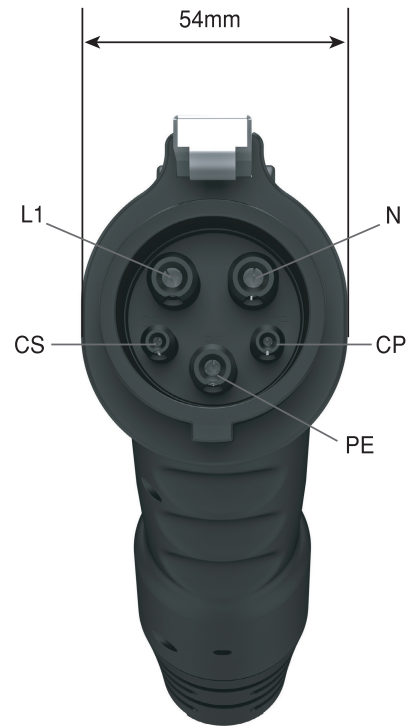
- CHAdeMO EV Charging Standard
- IEC 62196-1, 62196-3
- DC 200A / 1000V Fast Charger
- UL / CE Certified



Specifications subject to change without notice. Contact Sam Woo Electronics for the latest specifications.

CHAdEMO 200A Technical Data			
General Specifications	Part No.	SW - EVT203	SW - EVJ203
	Charger Type	CHAdEMO	
	Standard	IEC 62196-1, IEC 62196-3	
	Certification	UL Certified / CE Certified	-
Connector Specifications	Connector Dimensions	92 mm x 198 mm x 365 mm	
	Operating Temperature	- 30°C to + 50°C	
	Storage Temperature	- 40°C to + 80°C	
	Electric Power	200 KW	
	DC Contact	Power Contacts	
	DC Current	200 A	
	DC Voltage	1,000 V	750V
	Signal Contact	Signal Line : 7, Temperature Sensor Line : 4, Solenoid Line : 2	
	Signal Current	2 A	
	Degree of Protection	IP54 / 3R	
	Mating Cycle	10,000 ↑	
	Insertion Force	100 N ↓	
	Extraction Force	100 N ↓	
Solenoid	Actuation Voltage	DC 12 V	
	Release Voltage	0V (No current flow)	
	Hold Voltage	DC7V ± 1V	
	Coil Resistance	38 Ω ± 10% (Reference at 20°C)	
Cable Specifications	Material	TPE	
	Diameter	42.8 mm	40 mm
	Color	Black	
	Curvature Radius	256 mm	240 mm
	Certification	Reference Standard : UL 62	Reference Standard : JCS 4522
Temperature Sensor Specifications	Sensor Type	NXFS15XH103FA1B [MURATA]	
	Standard	E137188	
	Current	0.12 mA	
	Tolerance	- 40 °C to + 125 °C	
Test Results	STANDARD		
	IEC 62196-1	PASS	Coming Soon
	IEC 62196-3		

- J1772 Type1 AC
- IEC 62196-2, 62196-3
- AC 40A / 250V Charger
- AC 48A / 250V Charger
- AC 80A / 250V Charger
- UL Certified



Specifications subject to change without notice. Contact Sam Woo Electronics for the latest specifications.

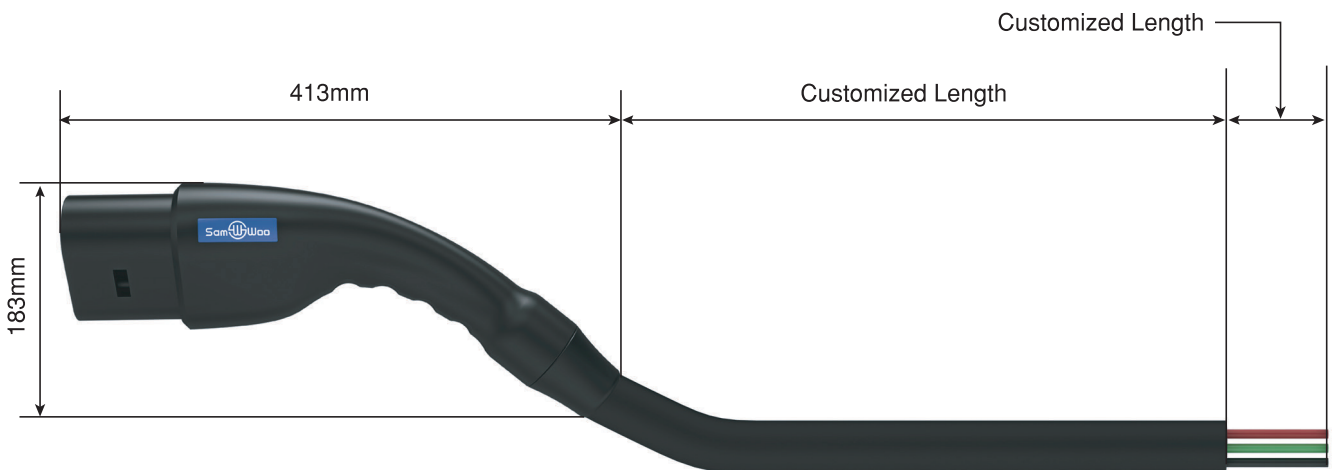
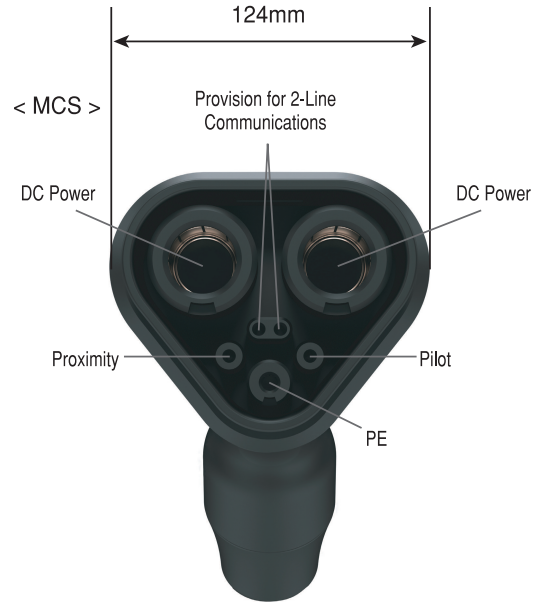
J1772 Technical Data				
General Specifications	Part No.	SW - EVTA040	SW - EVTA048	SW - EVTA080
	Charger Type	J1772 TYPE1 AC		
	Standard	IEC 62196-2, IEC 62196-3		
	Certification	UL Certified Edition3		
Connector Specifications	Connector Dimensions	54 mm x 130 mm x 260 mm		
	Operating Temperature	-30°C to + 50°C		
	Storage Temperature	- 40°C to + 80°C		
	Electric Power	10 KW	12 KW	20 KW
	AC Contact	Power Contacts		
	AC Current	40 A	48 A	80 A
	AC Voltage	250 V AC		
	Signal Current	2 A		
	Degree of Protection	IP54 / 3R		
	Mating Cycle	10,000 ↑		
	Insertion Force	100 N ↓		
Extraction Force	100 N ↓			
Cable Specifications	Material	TPE		
	Diameter	21.0 mm	21.8 mm	23.8 mm
	Color	Black		
	Curvature Radius	126 mm	131 mm	142 mm
	Certification	Reference Standard : UL 62		
Temperature Sensor Specifications	Sensor Type	PT 1000		
	Standard	DIN EN 60751		
	Current	1 mA (0°C, 1 V)		
	Tolerance	± 1K		
	Temperature Range	- 50°C to + 130°C		

Specifications subject to change without notice. Contact Sam Woo Electronics for the latest specifications.



# MCS Dimensions

- Megawatt Charging Standard
- 1MW Charger
- 3MW Charger



Specifications subject to change without notice. Contact Sam Woo Electronics for the latest specifications.

The following Requirements for the Megawatt Charging System (MCS) are currently discussed :

- Single conductive plug
- Max 1.250 volt & 3.000 ampere (DC)
- PLC + ISO/IEC 15118
- Touch Safe (UL2251)
- On-handle software-interpreted override switch
- Adheres to OSHA & ADA (& local equivalent) standards
- FCC Class A EMI (& local equivalent)
- Located on left side of the vehicle, roughly hip height
- Capable of being automated
- UL (NRTL) certified
- Cyber-Secure
- V2X (bi-directional)

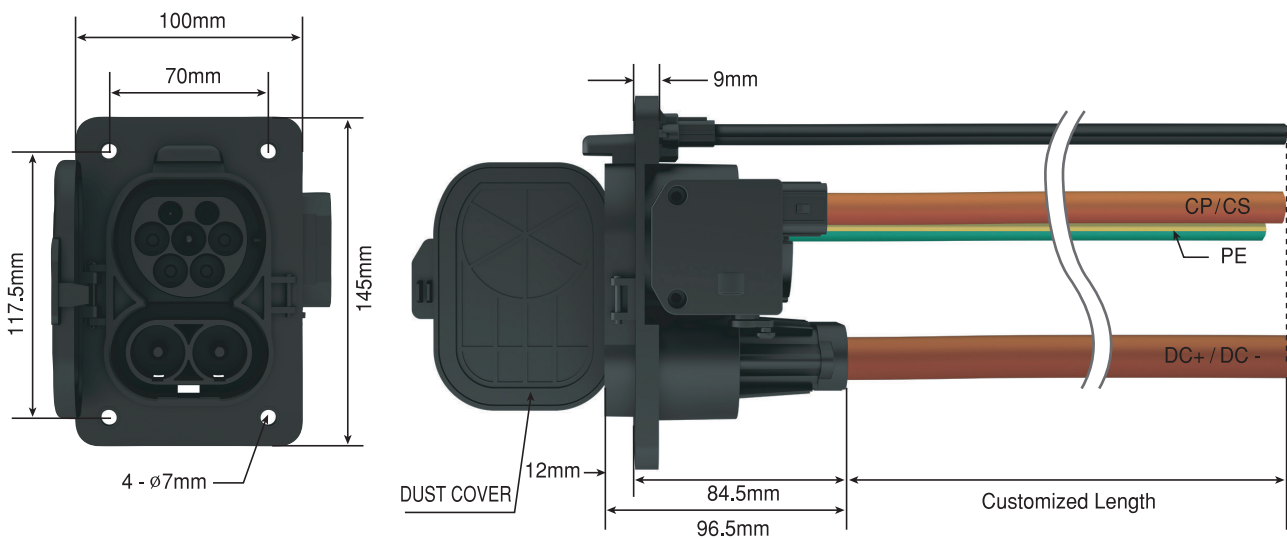
## CCS2 Inlet

Coming Soon



- TYPE 2 CCS DC
- DC Contacts 200A / 1000V
- AC Contacts 2A / 30V
- IEC 62196-1, 62196-3

## Customization



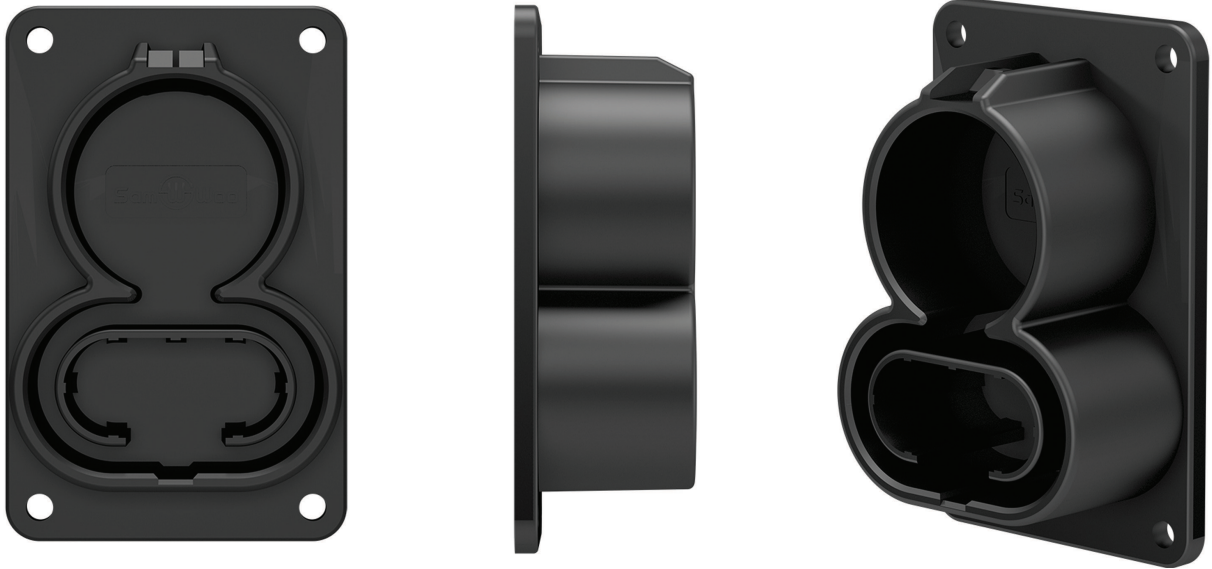
Specifications subject to change without notice. Contact Sam Woo Electronics for the latest specifications.

## CCS2 Inlet Technical Data

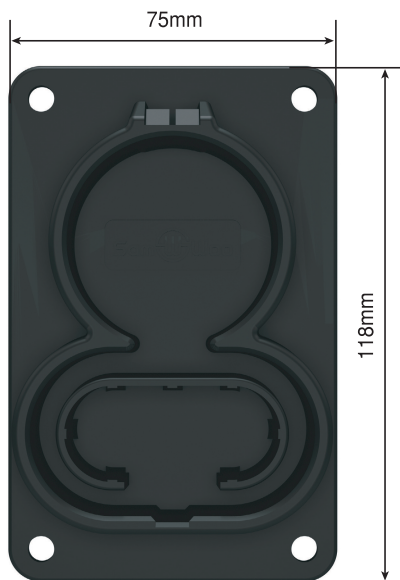
CCS2 INLET Technical Data			
General Specifications	Part No.	SW - EVT122 INLET	SW - EVT202 INLET
	Charger Type	TYPE 2 CCS DC	
	Standard	IEC 62196-1, IEC 62196-3	
Connector Specifications	Connector Dimensions	100mm x 145mm x 96.5mm	
	Operating Temperature	- 30°C to + 50°C	
	Storage Temperature	- 40°C to + 80°C	
	Electric Power	75 KW	200 KW
	DC Contact	Power Contacts	
	DC Current	125 A	200 A
	DC Voltage	600 V DC	1,000 V DC
	AC Contact	Signal Contacts	
	AC Current	2 A	
	AC Voltage	30 V	
	Mating Cycle	10,000 ↑	
	Insertion Force	100 N ↓	
	Extraction Force	100 N ↓	
Actuator Specifications	Actuation Voltage	DC 9V to 16V, Rated Current 2A	
	Actuation Current	Max 0.1 A	
	Locked Current	Max 1.2 A	
	Operating Time	Max 600 ms	
	Operating Load	42N	
	Operating Distance	5.9mm	
	Degrating of Protection	IP 67	
	Durability	120,000 cycles	
	Operating Temperature	- 40°C to + 85°C	
Cable Specifications	Material	PVC	
	Diameter	DC Line 19.5 mm	
Temperature Sensor Specifications	Sensor Type	PT 1000	
	Standard	DIN EN 60751	
	Current	1 mA (0°C, 1 V)	
	Tolerance	±1K	
	Temperature Range	- 50 °C to 130 °C	

Specifications subject to change without notice. Contact Sam Woo Electronics for the latest specifications.

## CCS1 COUPLER HOLDER



## CCS1 COUPLER HOLDER Dimensions



Front View



Side View

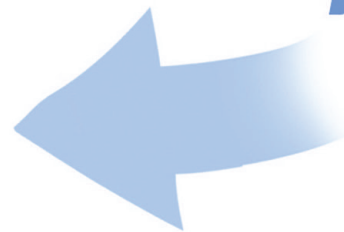
Specifications subject to change without notice. Contact Sam Woo Electronics for the latest specifications.

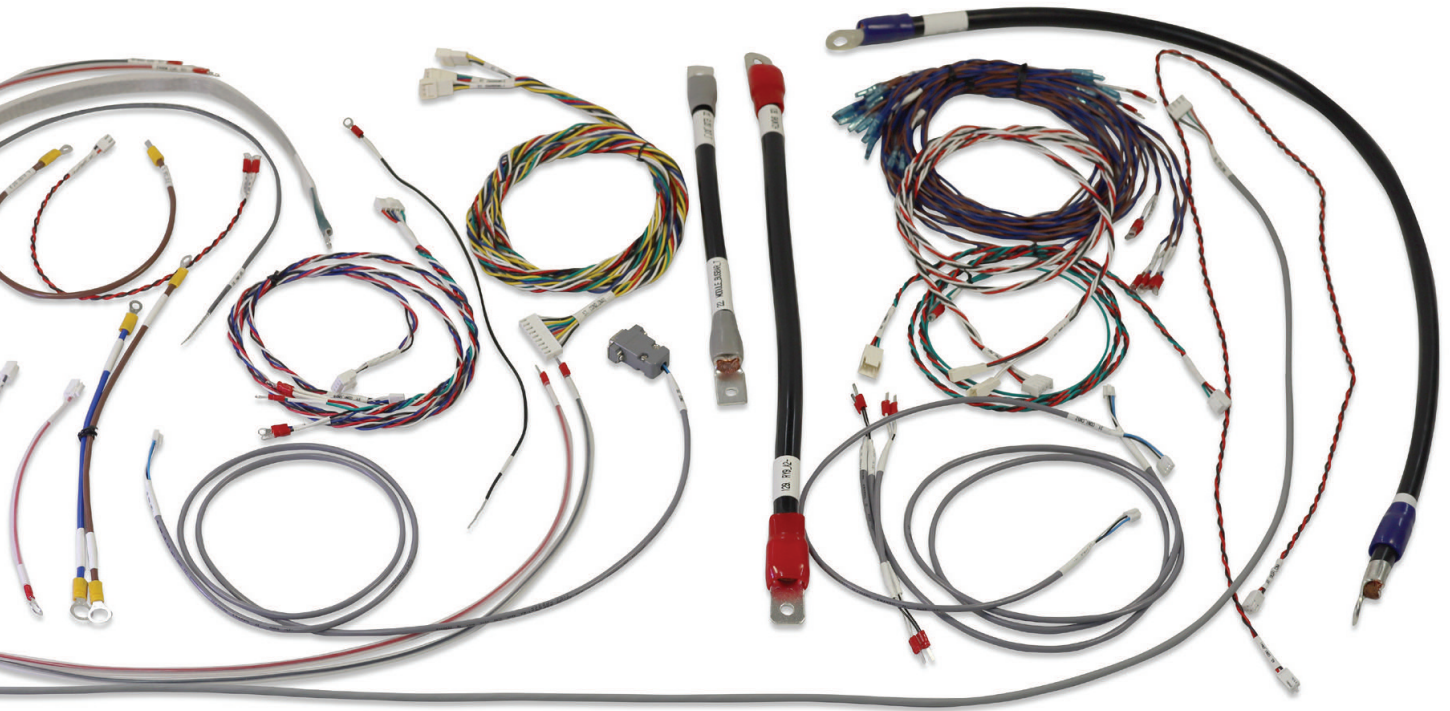




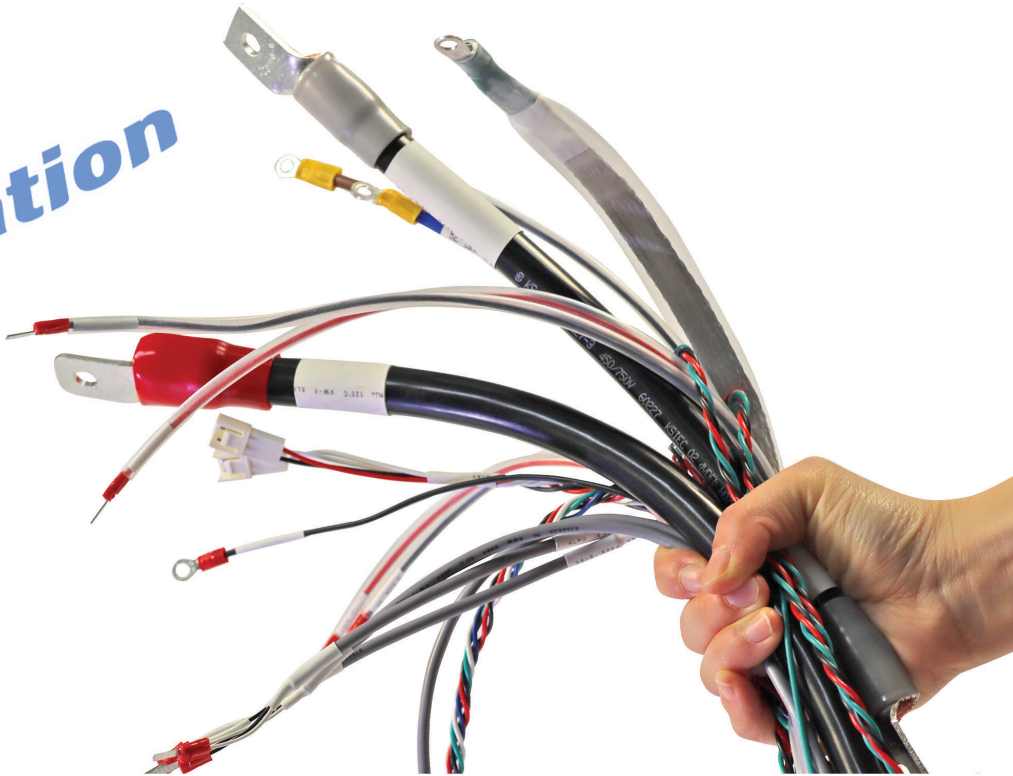


**EVSE Internal  
Harness  
custo**





ss  
omization



# Connector Overview



## SW / AM Series

Size / No. of Contacts  
Contacts 8, 23

Material / Finish  
Body - PBT  
Insulator - PBT  
Contacts - Brass



## SCC Series

Size / No. of Contacts  
Size - 13,16,21,25  
Contacts - 3,4,5,7,8,10,16,24

Material / Finish  
Body - Aluminum alloy / Ni plating  
Insulator - Thermosetting resin / Blue, Green  
Contacts - Copper alloy / Silver plating



## SCK / SCN Series

Size / No. of Contacts  
SCN Size - 12,16,20,25  
SCK Size - 12,16,20,25,30,32,40  
Contacts - 2,3,4,5,6,7,8,10,12,14, 20

Material / Finish  
Body - Zinc alloy / Ni plating  
Insulator - PA & Bakelite / Green & Black  
Contacts - Brass, Phosphor Bronze / Silver or Gold plating



## SH Series

Size / No. of Contacts  
Size - 9  
Contacts - 6

Material / Finish  
Body - Brass / Chromium plating  
Insulator - Glass filled polyacetal / White  
Contacts - Brass, Phosphor Bronze / Gold plating



## SM Series

Size / No. of Contacts  
Size - 9  
Contacts - 8

Material / Finish  
Body - Brass / Ni plating  
Insulator - PA / Black, Ivory  
Contacts - Brass, Phosphor Bronze / Gold plating



Push-Pull

## SN Series

Size / No. of Contacts  
Size - 8,10  
Contacts - 2,3,4,5,6,9,10,12

Material / Finish  
Body - Zinc alloy and Brass / Ni Plating  
Insulator - PA / Black  
Contacts - Brass, Phosphor Bronze / Silver or Gold Plating



Push-Pull

## SP Series

Size / No. of Contacts  
Size - 00,0,1,2,3  
Contacts - multiple

Material / Finish  
Body - Brass / Chromium Plating  
Insulator - PEEK, PA or Teflon  
Contacts - Brass / Gold Plating



Push-Pull

## SPP Series

Size / No. of Contacts  
Size - 1  
Contacts - multiple

Material / Finish  
Body-PSU, PEI, PC  
Insulator - PEEK, PA  
Contacts - Brass / Gold Plating

Woo Electronics for the latest specifications.



# Connector Overview



## SR IP67 Series

Size / No. of Contacts  
Size - 8  
Contacts - 4

Material / Coating  
Cap - Brass / Ni Plating  
Insulator - PBT / Black  
Outer sheath - PVC / Black  
Contacts - Brass, Phosphor Bronze / Silver or Gold Plating



Bayonet

## SRC Series

Size / No. of Contacts  
Size - 21  
Contacts - 10,16,26

Material / Coating  
Body - Aluminum alloy / Ni plating  
Insulator - Thermosetting resin / Black or Blue  
Contacts - Brass, Phosphor Bronze/Gold or Silver plating



## ST Series

Size / No. of Contacts  
Size - 8,8B,9, 9A  
Contacts - 12,14,16,20

Material / Coating  
Body - Brass & Zinc alloy / Ni plating  
Insulator - PPS resin / Black  
Contacts - Brass, Phosphor Bronze / Gold plating



## ST IP67 Series

Size / No. of Contacts  
Size - 9W  
Contacts - 12,16,20

Material / Coating  
Body - Brass & Zinc alloy / Ni plating  
Insulator - PPS resin / Black  
Contacts - Brass, Phosphor Bronze / Gold plating



## SU2 / SU3 IP67 Series

Size / No. of Contacts  
Size - 20  
Contacts - 3,4,5,6,8,A5,12,14

Material / Coating  
Body - Zinc Alloy,Brass  
Insulator - PA  
Contacts - Phosphor Bronze



## SW Series

Size / No. of Contacts  
Size - 8,10  
Contacts - 2,3,4,5,6,9,10,12

Material / Coating  
Body - Brass / Ni plating  
Insulator - PA / Black  
Contacts - Brass, Phosphor Bronze / Silver or Gold Plating



## SW IP67 Series

Size / No. of Contacts  
Size - 8,10,16  
Contacts - 2,3,4,5,6,9,10,12,28

Material / Coating  
Body - Brass / Ni plating  
Insulator - PA / Black  
Contacts - Brass, Phosphor Bronze / Silver or Gold Plating



Push-Pull

## SXR Series

Size / No. of Contacts  
Size - 10  
Contacts - 8

Material / Coating  
Body - Aluminum alloy / Ni plating  
Insulator - PBT resin / Black  
Contacts - Brass, Phosphor Bronze / Gold plating

## Cable Assembly Overview



SW-AM Series Cable Assembly



SCC Series Cable Assembly



SCN / SCK Series Cable Assembly



SP Series Cable Assembly



SPP Series Cable Assembly



SN Series Cable Assembly



SU2 / SU3 Series Cable Assembly



SH Series Cable Assembly











**Headquarters**

**Sam Woo Electronics Co., Ltd.**

148, Gongdan 1-daero 196beon-gil,

Siheung-si, Gyeonggi-do, 15098

Republic of Korea

Tel +82-31-432-0035

Fax +82-31-433-6167

[www.isamwoo.com](http://www.isamwoo.com)

[info@isamwoo.com](mailto:info@isamwoo.com)

**Japan**

**TRUST COMPONENTS Co.,Ltd.**

Atsugi Axt Maintower 11F

3050 Okada Atsugi-city

Kanagawa 243-0021,Japan

Tel +81-4-6229-3136

Website: <http://www.trust-comp.co.jp/>

**North America / Europe**

**E-valucon, Inc.**

14440 Myford Rd

Irvine CA 92606, USA

Tel +1-949-450-0080

Fax +1-949-450-0033

[www.evalucon.com](http://www.evalucon.com)

[info@evalucon.com](mailto:info@evalucon.com)